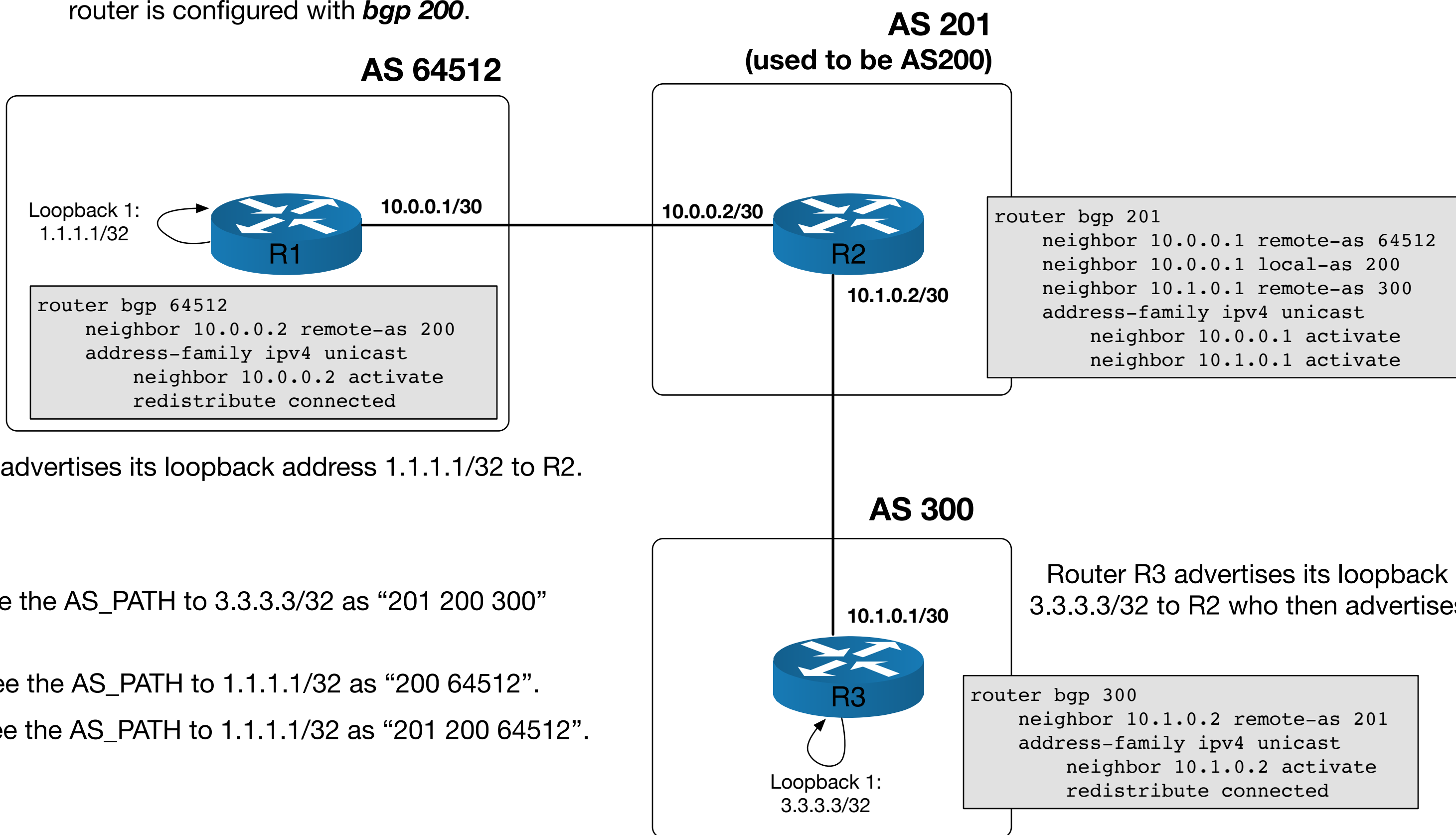




local-as command

The Cisco *local-as* command is used to make one AS appear as another as from the perspective of BGP peers. This is typically used in circumstances where a large number of peers would need to change their *remote-as* - for example if an ISP changes its AS and does not want to change the configuration on all of its Customer Edge routers.

In this example AS200 has been changed to AS 201. The BGP neighbour configuration on R2 has had *local-as* configured to enable the peering to R1 (a customer router) to establish. Note the addition of 200 in the AS_PATHs below even though no router is configured with *bgp 200*.



Router R1 advertises its loopback address 1.1.1.1/32 to R2.

R1 will see the AS_PATH to 3.3.3.3/32 as "201 200 300"

R2 will see the AS_PATH to 1.1.1.1/32 as "200 64512".

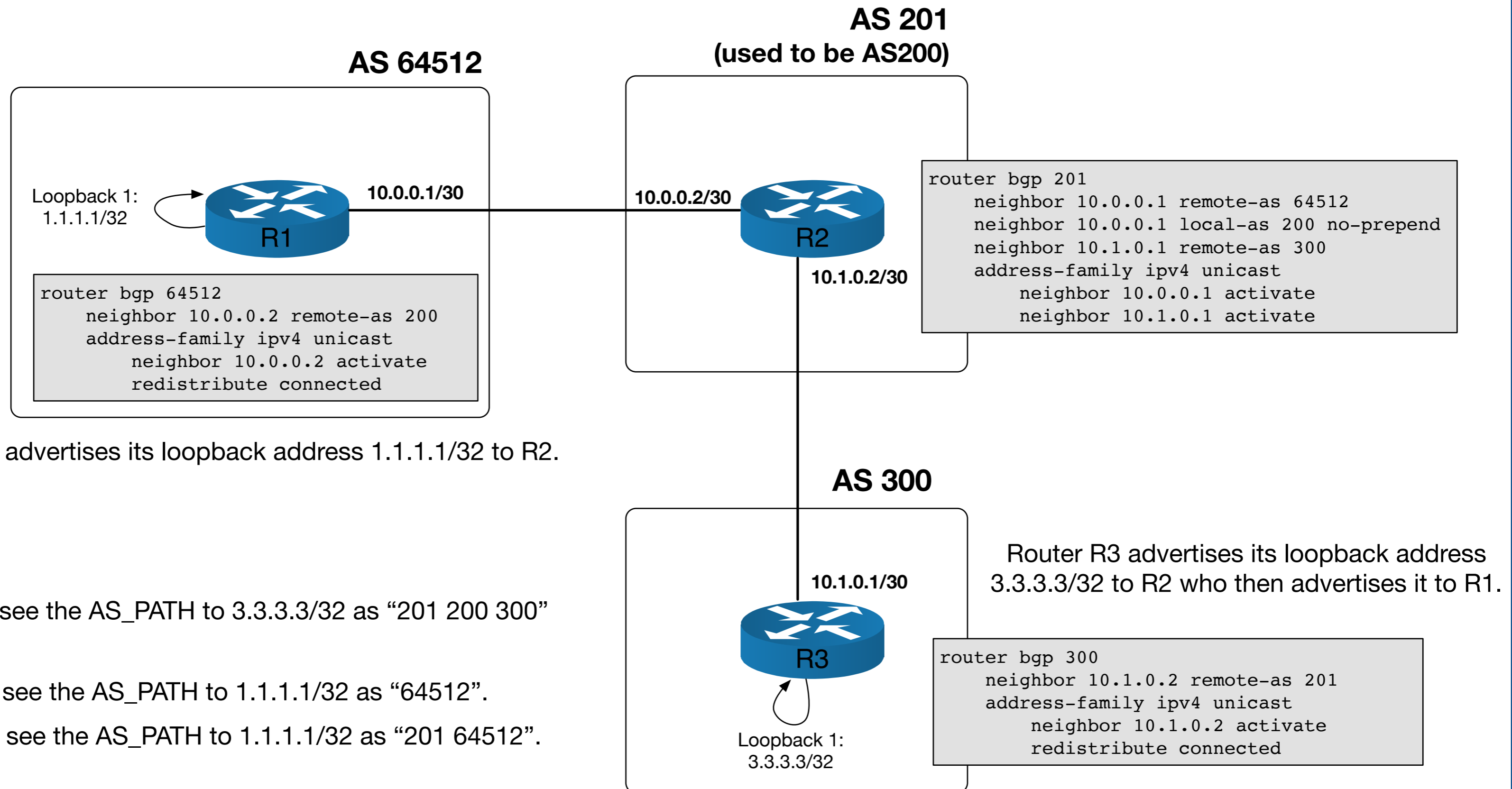
R3 will see the AS_PATH to 1.1.1.1/32 as "201 200 64512".

Router R3 advertises its loopback address 3.3.3.3/32 to R2 who then advertises it to R1.



Using no-prepend

If the *no-prepend* argument is used, when a router advertises a prefix received from a peer with *local-as* configured, it will not prepend the AS number in the *local-as* command to the AS_PATH. Note that in this example *no-prepend* will not change what R1 sees.





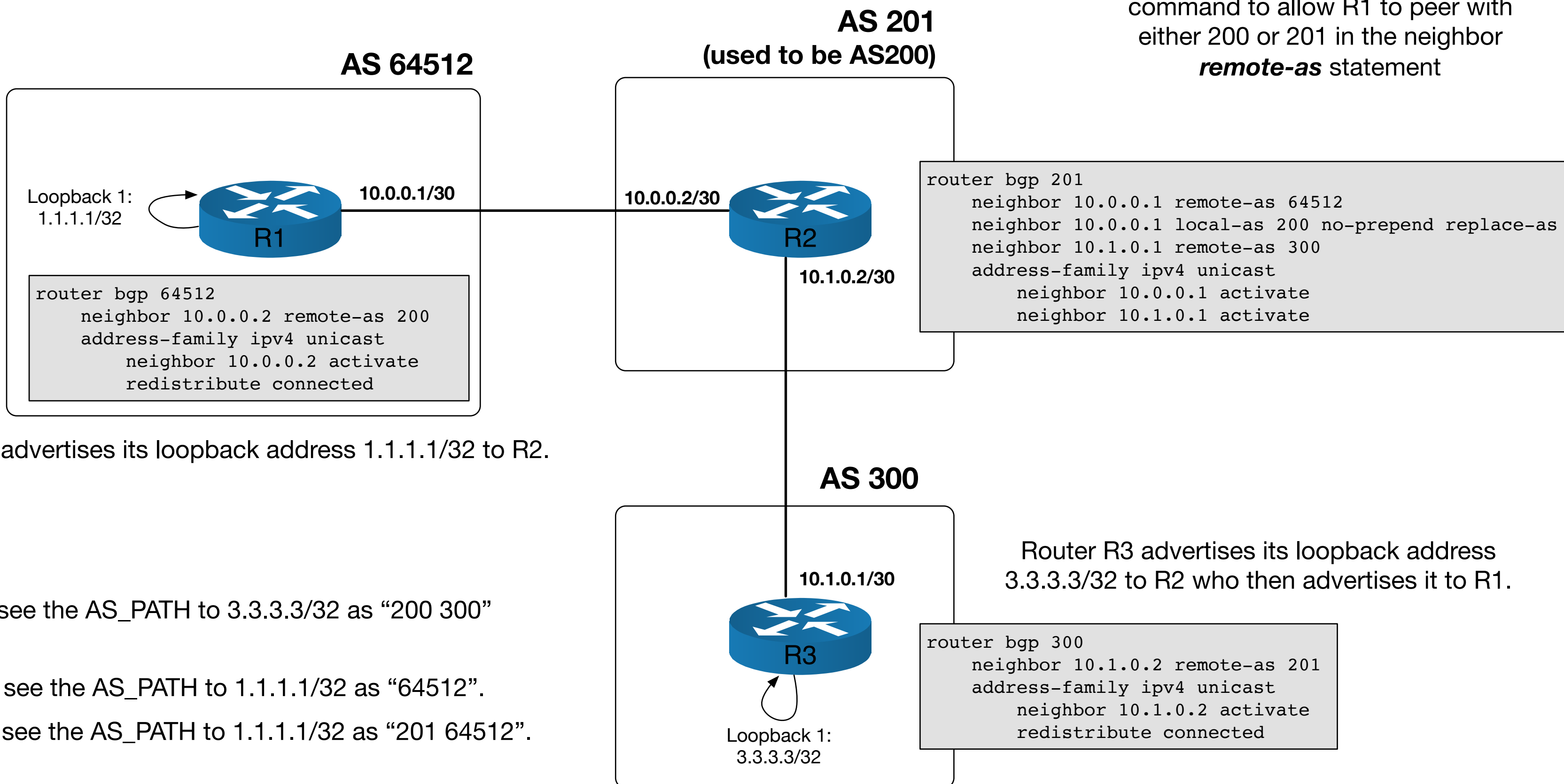
local-as command

Using replace-as

The **replace-as** argument will replace the *actual* AS with the AS in the **local-as** command when advertising a prefix. This effectively hides the true AS from the neighbour (R1 will not longer see 201 in the AS path. It will only see 200)

dual-as

Though not shown the example here, **dual-as** can be added to the **local-as** command to allow R1 to peer with either 200 or 201 in the neighbor **remote-as** statement



Router R1 advertises its loopback address 1.1.1.1/32 to R2.

Router R3 advertises its loopback address 3.3.3.3/32 to R2 who then advertises it to R1.

R1 will see the AS_PATH to 3.3.3.3/32 as "200 300"

R2 will see the AS_PATH to 1.1.1.1/32 as "64512".

R3 will see the AS_PATH to 1.1.1.1/32 as "201 64512".